

BCE (BACK COVER EXTENSION) MIT DATENERFASSUNGSMODULE LAN + POWER FÜR 10" POKINI TAB

Eigenschaften:

Power-In:

- Hohlstecker
- Maße: Außen-Ø: 5.5 mm,
- Innen-Ø: 2.5 mm, gerade,
- Länge 9,5 mm
- 12 Volt, 2A

BCE mit Datenerfassungsmodulen beinhaltet folgende Funktionen:

- 8 relay output (Form C) and 8 isolated digital input channels
- High-voltage isolation on input channels (2,500 VDC)
- High ESD protection (2,000 VDC)
- Wide input range (5 ~ 30 VDC)
- Interrupt handling capability
- Bus powered
- Wiring terminal on Modules

LAN:

- 10/100 Mbps Ethernet through USB 2.0
- IEEE 802.3i and 802.3u (10BASE-T, 100BASE-TX) compatible
- Supports half / full-duplex operation
- Crossover Detection & Auto-Correction (Auto MDIX)
- IEEE 802.1Q VLAN Tagging support
- Dongle with integrated USB cable

PINBELEGUNG AM BCE

1. Pinzuordnung digitale Ausgänge (Sub-D25 Buchse)

PIN	Signal	PIN	Signal
1	NO0	14	COM4
2	COM0	15	NC4
3	NC0	16	NO5
4	NO1	17	COM5
5	COM1	18	NC5
6	NC1	19	NO6
7	NO2	20	COM6
8	COM2	21	NC6
9	NC2	22	NO7
10	NO3	23	COM7
11	COM3	24	NC7
12	NC3	25	NC
13	NO4		

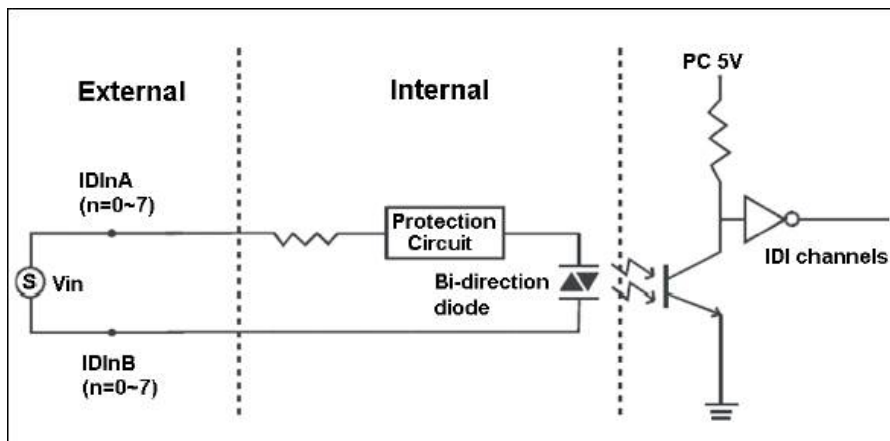
2. Pinzuordnung digitale Eingänge isoliert (Sub-D25 Stecker)

PIN	Signal	PIN	Signal
1	IDI0A	14	IDI6B
2	IDI0B	15	IDI7A
3	IDI1A	16	IDI7B
4	IDI1B	17	NC
5	IDI2A	18	NC
6	IDI2B	19	NC
7	IDI3A	20	NC
8	IDI3B	21	NC
9	IDI4A	22	NC
10	IDI4B	23	NC
11	IDI5A	24	NC
12	IDI5B	25	NC
13	IDI6A		

Signalbeschreibung

Signal Name	Description
NO<0~7>	Normally Open pin of relay output
COM<0~7>	Common pin of relay output
NC<0~7>	Normally Close pin of relay output
IDInA <n=0~7>	Isolated digital input A
IDInB <n=0~7>	Isolated digital input B

Schaltplan Eingang



Schaltplan Ausgang

